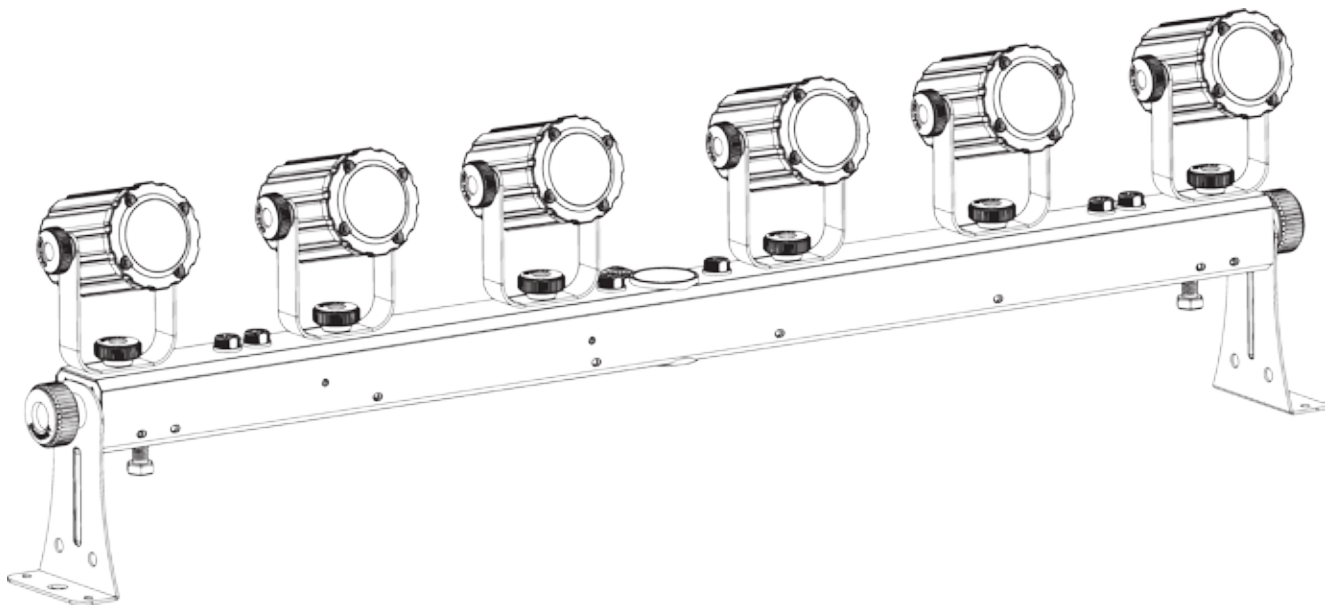


# 6 SPOT

User Manual



**CHAUVET**

---

# TABLE OF CONTENTS

<b>1. BEFORE YOU BEGIN</b> .....	<b>1</b>
SAFETY INSTRUCTIONS .....	2
<b>2. INTRODUCTION</b> .....	<b>3</b>
PRODUCT OVERVIEW.....	3
<b>3. SETUP</b> .....	<b>4</b>
AC POWER.....	4
<i>Power Linking</i> .....	4
MOUNTING.....	5
<i>Orientation</i> .....	5
<i>Rigging</i> .....	5
<b>4. OPERATING INSTRUCTIONS</b> .....	<b>6</b>
USING THE CONTROL PANEL .....	6
MENU MAP .....	6
CONFIGURING THE STARTING ADDRESS .....	6
OPERATION .....	7
<i>DMX Operation</i> .....	7
<i>DMX Channel Values</i> .....	7
<i>Master/Slave Mode (Sound-Active)</i> .....	8
STANDALONE .....	8
<i>Sound-Active</i> .....	8
<i>Automatic</i> .....	8
<b>5. TECHNICAL INFORMATION</b> .....	<b>9</b>
<b>TECHNICAL SPECIFICATIONS</b> .....	<b>10</b>
<b>RETURNS</b> .....	<b>11</b>
<b>CONTACT US</b> .....	<b>12</b>

---

# 1. BEFORE YOU BEGIN

## What Is Included

- 6SPOT
- Power Cord
- Mounting Kit
- Warranty Card
- Quick Reference Guide

## Unpacking Instructions

Carefully unpack the product immediately and check the container to make sure all the parts are in the package and are in good condition.

## Claims




If the box or the contents (the product and included accessories) appear damaged from shipping, or show signs of mishandling, notify the carrier immediately, not CHAUVET. Failure to report damage to the carrier immediately may invalidate your claim. In addition, keep the box and contents for inspection.

For other issues, such as missing components or parts, damage not related to shipping, or concealed damage, file a claim with CHAUVET within 7 days of delivery.

## Text Conventions

Convention	Meaning
1–512	A range of values
50/60	A set of values of which only one can be chosen
<b>Settings</b>	A menu option not to be modified
<ENTER>	A key to be pressed on the product's control panel
<b>ON</b>	A value to be entered or selected

## Symbols

Symbol	Meaning
	Critical installation, configuration, or operation information. Not following these instructions may make the product not work, cause damage to the product, or cause harm to the operator.
	Important installation or configuration information. The product may not function correctly if this information is not used.
	Useful information.

## Disclaimer

Chauvet believes that the information contained in this manual is accurate in all respects. However, Chauvet assumes no responsibility and specifically disclaims any and all liability to any party for any loss, damage or disruption caused by any errors or omissions in this document, whether such errors or omissions result from negligence, accident or any other cause. Chauvet reserves the right to revise the content of this document without any obligation to notify any person or company of such revision, however, Chauvet has no obligation to make, and does not commit to make, any such revisions. Download the latest version from [www.chauvetdj.com](http://www.chauvetdj.com).

The works of authorship contained in this manual, including, but not limited to, all design, text and images are owned by Chauvet.

© Copyright 2017 Chauvet & Sons, LLC. All rights reserved.

Electronically published by Chauvet in the United States of America.

CHAUVET, the Chauvet logo, and 6SPOT are registered trademarks or trademarks of Chauvet & Sons LLC (d/b/a Chauvet and Chauvet Lighting) in the United States and other countries. Other company and product names and logos referred to herein may be trademarks of their respective companies.

---

## Safety Instructions

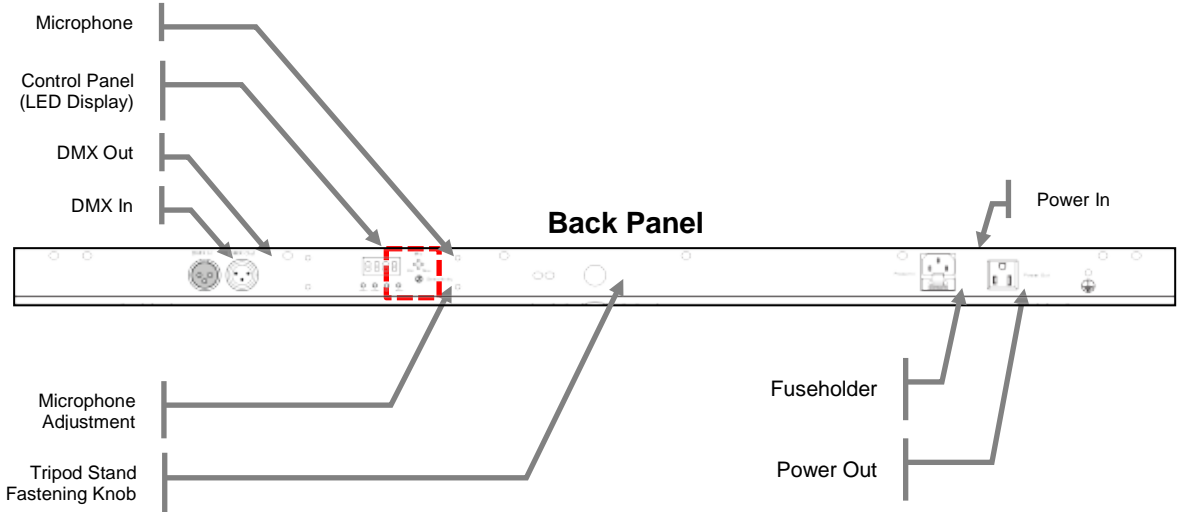


Please read these instructions carefully. It includes important information about the installation, usage and maintenance of this product.

- Please keep this User Manual for future consultation. If you sell the unit to another user, be sure that they also receive this instruction booklet.
- Always make sure that you are connecting to the proper voltage, and that the line voltage you are connecting to is not higher than that stated on the decal or rear panel of the fixture.
- This product is intended for indoor use only! To prevent risk of fire or shock, do not expose fixture to rain or moisture.
- Make sure there are no flammable materials close to the unit while operating.
- The unit must be installed in a location with adequate ventilation, at least 20in (50cm) from adjacent surfaces. Be sure that no ventilation slots are blocked.
- Always disconnect from power source before servicing or replacing fuse and be sure to replace with same fuse source.
- Secure fixture to fastening device using a safety chain.
- Maximum ambient temperature (Ta) is 104°F (40°C). Do not operate fixture at temperatures higher than this.
- In the event of a serious operating problem, stop using the unit immediately. Never try to repair the unit by yourself. Repairs carried out by unskilled people can lead to damage or malfunction. Please contact the nearest authorized technical assistance center.
- Never connect the device to a dimmer pack.
- Make sure the power cord is never crimped or damaged.
- Never disconnect the power cord by pulling or tugging on the cord.
- Never carry the fixture directly from the cord. Always use the hanging/mounting bracket.
- Avoid direct eye exposure to the light source while it is on.

# 2. INTRODUCTION

## Product Overview



# 3. SETUP

## AC Power

This fixture is auto-ranging and runs on 100~240 VAC, 50/60 Hz power.

To determine the power requirements for a particular fixture, see the label affixed to the back plate of the fixture or refer to the fixture's specifications chart. A fixture's listed current rating indicates its average current draw under normal conditions.



**Always connect the fixture to a switched circuit. Never connect the fixture to a rheostat (variable resistor) or dimmer circuit, even if the rheostat or dimmer channel is used only as a 0 to 100% switch.**



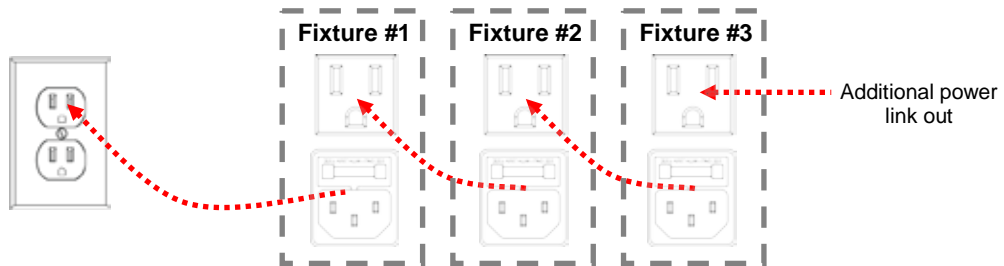
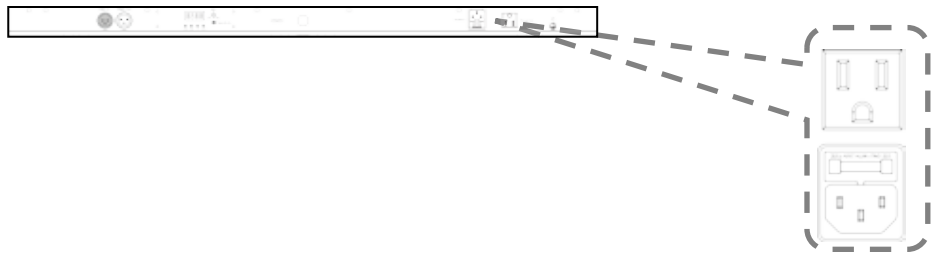
**Always connect the fixture to a circuit with a suitable electrical ground.**

## Power Linking

This fixture contains power linking via the Edison outlet located in front of the power input cable. Please see the diagram below for further explanation.



**The maximum quantity of 6SPOT products that may be linked is 20 units @ 120V, 33 units @ 230V**



**The power linking shown in this document is for the CHAUVET® North American version ONLY! Therefore, it is the customer's responsibility to check with the Dealer/Distributor regarding power linking on the local version of the product. Connections and availability may change, depending on the power requirements and/or regulations of each country/region.**

---

# Mounting

## Orientation

The 6SPOT may be mounted in any position, provided there is adequate room for ventilation.

## Rigging

This fixture has multiple rigging options. They are as follows:

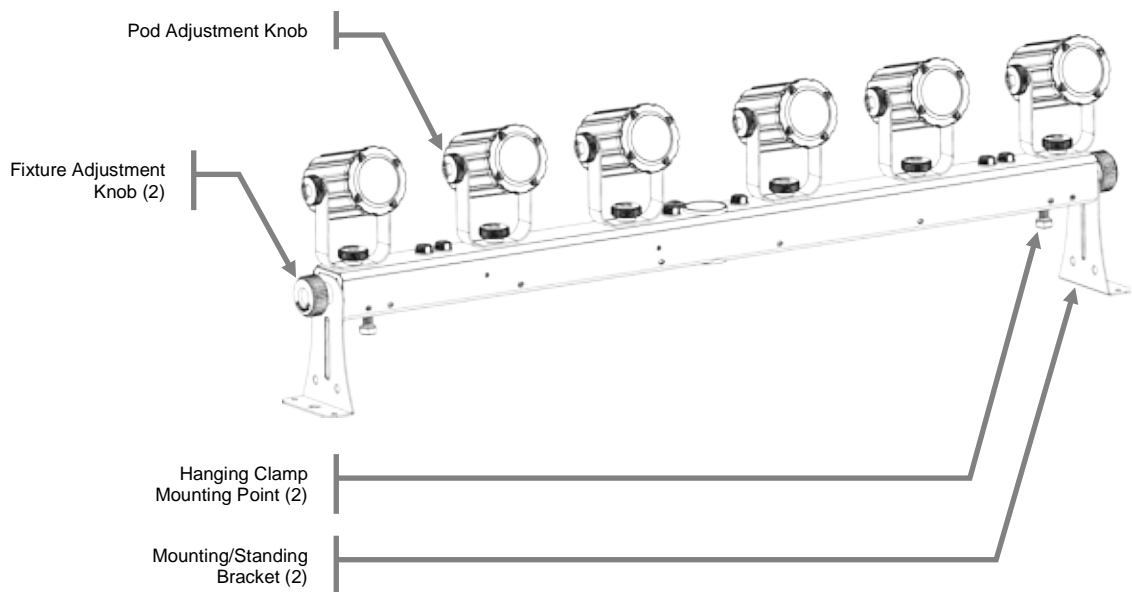
- Floor Standing (using the two mounting/standing brackets)
- Hanging (using the two mounting/standing brackets)
- Hanging (using the two hanging clamp Mounting points)

Be sure that the structure can support the weight of the fixture. Please see the "Technical Specifications" section of this manual for a detailed weight listing. Mount the fixture securely. This may be done with a screw, nut and bolt, or a mounting clamp.

The hole in each bracket is 13 mm in diameter.

When rigging, consider routine maintenance and control panel access. Please see the following notes on installation.

- If the power link out is intended to be used with multiple fixtures, take into account the length of each power cable, and mount the fixtures close enough to one another to accommodate for this.
- When aiming the fixtures, use the bracket/yoke adjustment knobs. Loosen the knobs, adjust to the desired angle, and then tighten the knobs by turning them clockwise. Do not use tools for this step, as it may cause damage.
- Safety cables must always be used!




# 4. OPERATING INSTRUCTIONS

## Using the Control Panel

Access control panel functions using the four buttons located directly underneath the LED display.

BUTTON	FUNCTION
<MODE>	Used to scroll through the current operating mode, as well as back out of the current menu option
<UP>	Used to select a increasing value
<DOWN>	Used to select an decreasing value
<ENTER>	Used to activate a selection and store it to memory



## Menu Map

Mode	Selection 1	Selection 2	Description
DMX Mode	Addr		DMX Operation
		d001~d512	Select the DMX starting address
Slave Operation	SLAU		Slave
Invert	H-		Invert the operation (pod 1 becomes pod 6, Slave mode only)
		No~YES	Select YES to activate this function
Sound-active	SoUd	rUn	Trigger the built-in program to the beat of the music, using the internal microphone
Automatic	P-		Trigger the built-in programs with variable speed
		P- 1~10	Select one of the built-in programs
		S 01~S100	Adjust the speed of the automatic program

## Configuring the Starting Address

The 6SPOT fixture uses up to **eight** DMX channels. In this DMX configuration/personality, the highest configurable address is **505**. Any address higher than this will prevent access to all of the channels while in this mode; however, if you desire to use one of the other DMX configurations (personalities), please consider the total DMX channels when selecting a DMX address.

If this is your first time using DMX, we recommend reading the “DMX Primer” section in the “Appendix”.



# Operation

## DMX Operation

This operating mode will allow for control with an external DMX controller. You must set the starting address for this mode.

If this is your first time using DMX, then it is recommended that you refer to the "DMX Primer" section in the "Appendix" of this manual.

Please see the instructions below for details on this mode.

1. Plug the fixture into power.
2. Plug a DMX controller into the fixture in a daisy chain configuration.
3. Press **<MODE>** until **Addr** appears on the LED screen.
4. Press **<ENTER>**.
5. Using **<UP>** & **<DOWN>**, select the DMX starting address.
6. Press **<ENTER>**.

## DMX Channel Values

CHANNEL	VALUE	FUNCTION
1	000 ∘ 010	<b>Pod 1</b> Blackout
	011 ∘ 045	Red
	046 ∘ 080	Green
	081 ∘ 115	Blue
	116 ∘ 150	Yellow
	151 ∘ 185	Magenta
	186 ∘ 220	Cyan
	221 ∘ 255	White
2	000 ∘ 010	<b>Pod 2 (run speed when CH.8 is between 011~239)</b> Blackout
	011 ∘ 045	Red
	046 ∘ 080	Green
	081 ∘ 115	Blue
	116 ∘ 150	Yellow
	151 ∘ 185	Magenta
	186 ∘ 220	Cyan
	221 ∘ 255	White
3~6	000 ∘ 010	<b>Pod 3~6</b> Blackout
	011 ∘ 045	Red
	046 ∘ 080	Green
	081 ∘ 115	Blue
	116 ∘ 150	Yellow
	151 ∘ 185	Magenta
	186 ∘ 220	Cyan
	221 ∘ 255	White
7	000 ∘ 009	<b>Strobe</b> No function
	010 ∘ 255	Strobe (slow~fast)
8	000 ∘ 010	<b>Mode</b> Individual pod control with strobing (channels 1~7)
	011 ∘ 047	Automatic 1
	048 ∘ 095	Automatic 2
	096 ∘ 119	Automatic 3
	120 ∘ 144	Automatic 4
	145 ∘ 167	Automatic 5
	168 ∘ 191	Automatic 6
	192 ∘ 215	Automatic 7
	216 ∘ 239	Automatic 8
	240 ∘ 255	Sound-active

---

## Master/Slave Mode (Sound-Active)

This mode allows a single unit, the master, to operate in either automatic or sound-active mode. When additional (slave) fixtures are daisy chained to the master, they will all synchronize with the master and run the same lighting show.

Please see the instructions below for details on this mode.

Master:

1. Place the master fixture **first** in the daisy chain.
2. Set the master fixture to operate in either automatic or sound-active mode; *please see the appropriate sections of this manual for details on this procedure.*

Slave:

1. Daisy chain from the output of the master fixture.
2. Press **<MODE>** until **SLAU** appears on the LED screen.



**Plug the master fixture in LAST!**



**Only connect 31 slave fixtures when operating in this mode!**



**Using the “Invert” function will invert any fixture(s) it is active on. This is useful when you desire to have symmetry to your lighting show. Please see the “Menu Map” for further details.**

## Standalone

### Sound-Active

Please see the instructions below for details on this mode.

1. Plug the fixture into power.
2. Press **<MODE>** until **SoUd** appears on the LED screen.
3. Press **<ENTER>**.
4. Use the microphone sensitivity adjustment knob to adjust the fixture to react to the beat of the music.
5. Press **<ENTER>**.



**The microphone will only respond to low frequencies (bass).**

### Automatic

Please see the instructions below for details on this mode.

1. Plug the fixture into power.
2. Press **<MODE>** until **AUTO** appears on the LED screen.
3. Press **<ENTER>**.
4. Using **<UP>** & **<DOWN>**, adjust the program speed (**S\_ \_1~S100**) (fast-slow).
5. Press **<ENTER>**.

---

## 5. TECHNICAL INFORMATION

### **Product Maintenance**

Dust build-up reduces light output performance and can cause overheating. This can lead to reduction of the light source's life and/or mechanical wear. To maintain optimum performance and minimize wear, clean the product at least twice a month. However, usage and environmental conditions contribute to increased cleaning frequency.

To clean the product, follow the instructions below:

- Unplug the product from power.
- Wait until the product is at room temperature.
- Use a vacuum (or dry compressed air) and a soft brush to remove dust collected on the external surface and reachable internal components.
- Clean all external optics and glass/transparent surfaces with a mild soap solution, ammonia-free glass cleaner, or isopropyl alcohol.
- Apply the solution directly to a soft, lint-free cotton cloth or a lens cleaning tissue.
- Softly wipe any dirt or grime to the outside edges of the external optics or transparent surface.
- Gently polish the external optics and transparent surfaces until they are free of haze and lint.



**Always dry the external optics and transparent surfaces carefully after cleaning them.**

---

# TECHNICAL SPECIFICATIONS

## WEIGHT & DIMENSIONS

Length..... 35.5 in (902 mm)  
Width ..... 2.2 in (56 mm)  
Height ..... 6.5 in (165 mm)  
Weight ..... 10.1 lbs (4.6 kg)

## POWER

Input voltage ..... 100–240 VAC, 50/60 Hz (auto-ranging)  
Power and current..... 52 W; 0.43 A max (120 V, 60 Hz)  
Power consumption..... 57 W; 0.25 A max (230 V, 50 Hz)  
Power linking ..... max 20 units @ 120 V; 33 units @ 230 V  
Fuse..... F 1 A, 250 V

## LIGHT SOURCE

Type..... high-power, tri-color LED  
Quantity ..... 6  
Rating ..... (3 W) 375 mA x 3; 50,000 hrs

## PHOTO OPTIC

Lux (per light)..... 814 @ 1 m  
Beam angle (per light)..... 11°

## INDOOR/OUTDOOR

Rating ..... For indoor use only

## THERMAL

Maximum ambient temperature..... 104° F (40° C)

## CONTROL & PROGRAMMING

Data input ..... locking 3-pin XLR male socket  
Data output ..... locking 3-pin XLR female socket  
Data pin configuration ..... pin 1 shield, pin 2 (-), pin 3 (+)  
Protocols..... DMX-512 USITT  
DMX Channels..... 8

## ORDERING INFORMATION

6SPOT..... 6SPOT

## WARRANTY INFORMATION

Warranty ..... 2-year limited warranty



---

# RETURNS

In case you need to get support or return a product:

- If you are located in the U.S., contact Chauvet World Headquarters.
- If you are located in the UK or Ireland, contact Chauvet Europe Ltd.
- If you are located in Mexico, contact Chauvet Mexico.
- If you are located in Benelux, contact Chauvet Europe BVBA.
- If you are located in any other country, DO NOT contact Chauvet. Instead, contact your local distributor. See [www.chauvetlighting.com](http://www.chauvetlighting.com) for distributors outside the U.S., UK, Ireland, Mexico, or Benelux.



**If you are located outside the U.S., UK, Ireland, Mexico, or Benelux, contact your distributor of record and follow their instructions on how to return Chauvet products to them. Visit our website [www.chauvetlighting.com](http://www.chauvetlighting.com) for contact details.**

Call the corresponding Chauvet Technical Support office and request a Return Merchandise Authorization (RMA) number before shipping the product. Be prepared to provide the model number, serial number, and a brief description of the cause for the return.

To submit a service request online, go to [www.chauvetdj.com/service-request](http://www.chauvetdj.com/service-request).

Send the merchandise prepaid, in its original box, and with its original packing and accessories. Chauvet will not issue call tags.

Clearly label the package with the RMA number. Chauvet will refuse any product returned without an RMA number.



**Write the RMA number on a properly affixed label. DO NOT write the RMA number directly on the box.**

Before sending the product, clearly write the following information on a piece of paper and place it inside the box:

- Your name
- Your address
- Your phone number
- RMA number
- A brief description of the problem

Be sure to pack the product properly. Any shipping damage resulting from inadequate packaging will be your responsibility. FedEx packing or double-boxing are recommended.



**Chauvet reserves the right to use its own discretion to repair or replace returned product(s).**

---

# CONTACT Us

## USA WORLD HEADQUARTERS

### General Information – Chauvet

Address: 5200 NW 108th Avenue  
Sunrise, FL 33351

Voice: (954) 577-4455  
Fax: (954) 929-5560  
Toll free: (800) 762-1084

### Technical Support

Voice: (844) 393-7575  
Fax: (954) 756-8015  
Email: [chauvetcs@chauvetlighting.com](mailto:chauvetcs@chauvetlighting.com)

**World Wide Web** [www.chauvetlighting.com](http://www.chauvetlighting.com)

## EUROPE

### General Information - Chauvet Europe BVBA

Address: Stokstraat 18  
9770 Kruishoutem  
Belgium

Voice: +32 9 388 93 97

### Technical Support

Email: [Eutech@chauvetlighting.eu](mailto:Eutech@chauvetlighting.eu)

**World Wide Web** [www.chauvetlighting.eu](http://www.chauvetlighting.eu)

### General Information - Chauvet Europe Ltd.

Address: Unit 1C  
Brookhill Road Industrial Estate  
Pinxton, Nottingham, UK  
NG16 6NT

Voice: +44 (0)1773 511115  
Fax: +44 (0)1773 511110

### Technical Support

Email: [uktech@chauvetlighting.com](mailto:uktech@chauvetlighting.com)

**World Wide Web** [www.chauvetlighting.co.uk](http://www.chauvetlighting.co.uk)

## MEXICO

### General Information - Chauvet Mexico

Address: Av. de las Partidas 34 - 3B  
(Entrance by Calle 2)  
Zona Industrial Lerma  
Lerma, Edo. de México, CP  
52000

Voice: +52 (728) 285-5000

### Technical Support

Email: [servicio@chauvet.com.mx](mailto:servicio@chauvet.com.mx)

**World Wide Web** [www.chauvet.com.mx](http://www.chauvet.com.mx)

Outside the U.S., United Kingdom, Ireland, Mexico, or Benelux contact the dealer of record. Follow their instructions to request support or to return a product. Visit our website for contact details.