

GEYSER P5



User Manual

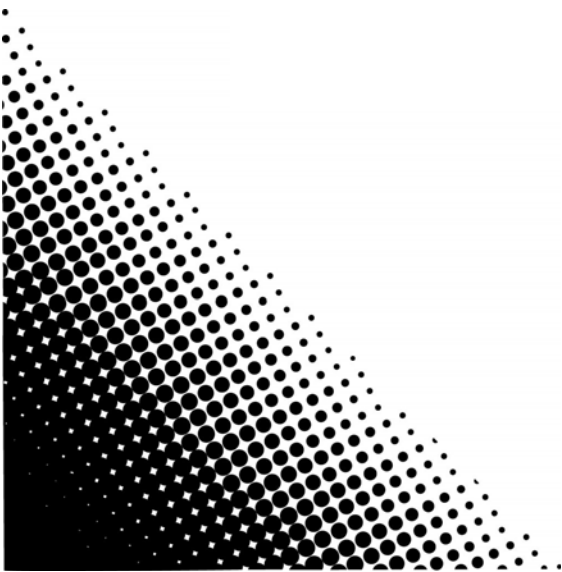
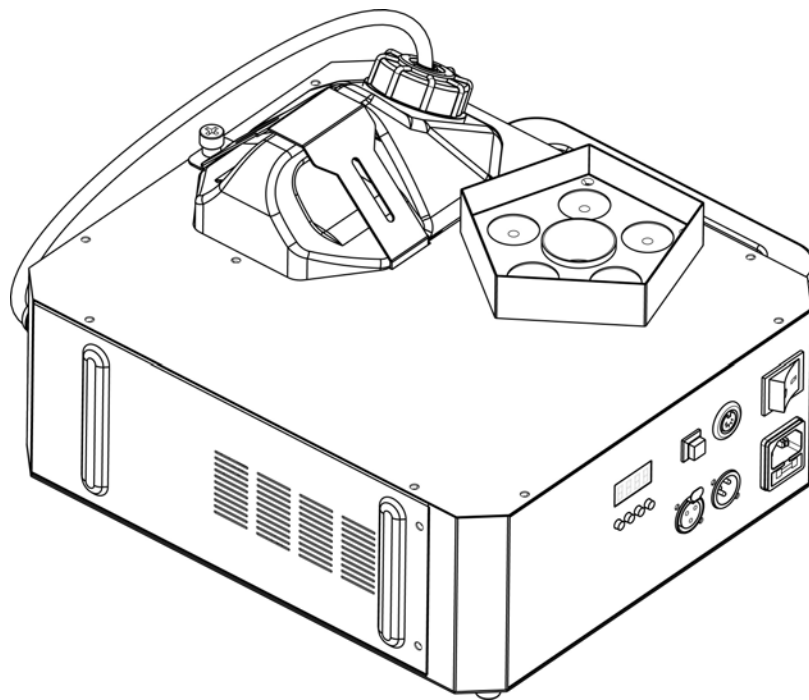


TABLE OF CONTENTS

1. Before You Begin	1
What Is Included	1
Unpacking Instructions.....	1
Claims	1
Text Conventions	1
Symbols	1
Disclaimer	1
Safety Notes.....	2
2. Introduction	3
Product Overview.....	3
Product Dimensions	3
3. Setup	4
AC Power	4
Fuse Replacement.....	4
4. Operation	5
Control Panel Operation.....	5
Menu Map	5
Configuration (DMX)	6
Starting Address.....	6
DMX Channel Assignments and Values	6
Configuration (Geyser Wireless Remote)	7
Geyser Wireless Remote Control Overview.....	7
Configuration (Manual).....	7
5. Maintenance and Storage.....	8
Fog Machine Maintenance.....	8
Storage.....	8
6. Technical Specifications	9
Returns.....	10
Contact Us	11

1. Before You Begin

What Is Included

- Geysler P5
- Power Cord
- Geysler wireless remote control and receiver
- Warranty Card
- Quick Reference Guide

Unpacking Instructions

Carefully unpack the product immediately and check the container to make sure all the parts are in the package and are in good condition.

Claims




If the box or the contents (the product and included accessories) appear damaged from shipping, or show signs of mishandling, notify the carrier immediately, not Chauvet. Failure to report damage to the carrier immediately may invalidate your claim. In addition, keep the box and contents for inspection.

For other issues, such as missing components or parts, damage not related to shipping, or concealed damage, file a claim with Chauvet within 7 days of delivery.

Text Conventions

Convention	Meaning
1–512	A range of values
50/60	A set of values of which only one can be chosen
Settings	A menu option not to be modified
<ENTER>	A key to be pressed on the product's control panel
ON	A value to be entered or selected

Symbols

Symbol	Meaning
	Critical installation, configuration, or operation information. Not following these instructions may make the product not work, cause damage to the product, or cause harm to the operator.
	Important installation or configuration information. The product may not function correctly if this information is not used.
	Useful information.

Disclaimer

Chauvet believes that the information contained in this manual is accurate in all respects. However, Chauvet assumes no responsibility and specifically disclaims any and all liability to any party for any loss, damage or disruption caused by any errors or omissions in this document, whether such errors or omissions result from negligence, accident or any other cause. Chauvet reserves the right to revise the content of this document without any obligation to notify any person or company of such revision, however, Chauvet has no obligation to make, and does not commit to make, any such revisions. Download the latest version from www.chauvetdj.com.

The works of authorship contained in this manual, including, but not limited to, all design, text and images are owned by Chauvet.

© Copyright 2017 Chauvet & Sons, LLC. All rights reserved.

Electronically published by Chauvet in the United States of America.

CHAUVET, the Chauvet logo, and Geysler P5 are registered trademarks or trademarks of Chauvet & Sons LLC (d/b/a Chauvet and Chauvet Lighting) in the United States and other countries. Other company and product names and logos referred to herein may be trademarks of their respective companies.

Safety Notes



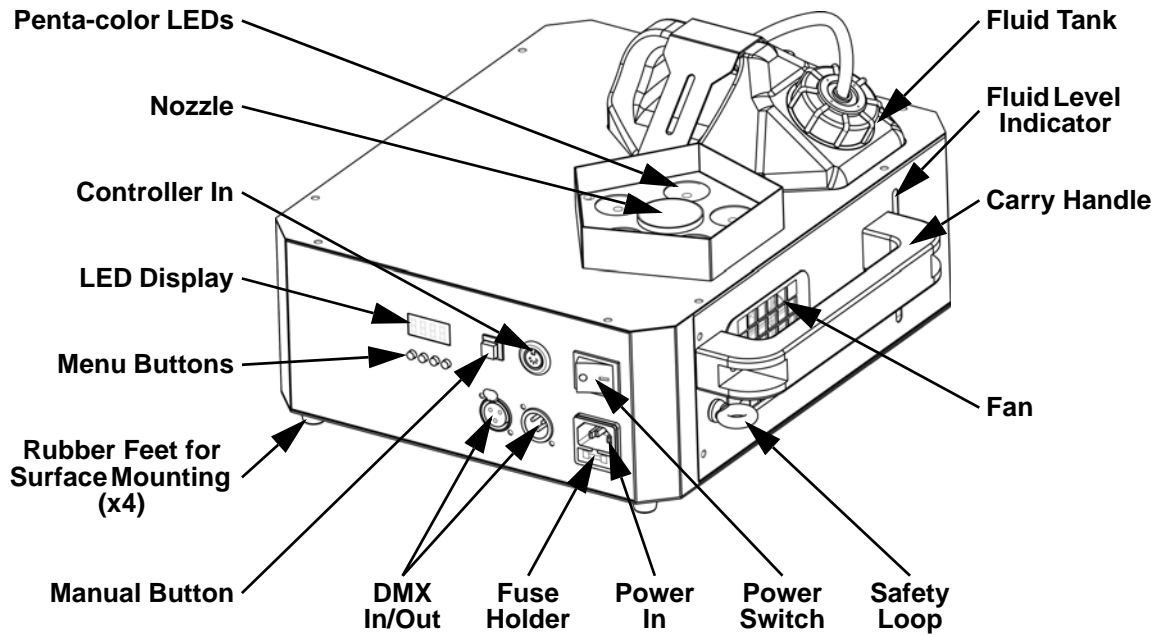
- Not intended for permanent installations.
- Always connect the product to a grounded circuit to avoid the risk of electrocution.
- Always disconnect this product from the power source before cleaning it or replacing the fuse.
- Make sure the power cord is not crimped or damaged.
- Never disconnect the power cord by pulling or tugging on the cord.
- Do not mount this product on a flammable surface (e.g., wood, linoleum, carton, plastic, or carpet).
- Make sure there are no flammable materials close to the unit while operating
- Do not touch the output nozzle on this product. It is very hot during operation and it may remain hot for several hours after turning the unit off.
- Do not drink the fog fluid. If you do, call your local emergency service (911 in the US) for help.
- Do not add perfume, alcohol, gasoline, or any other flammables to the fog fluid.
- Depending on the amount of fog generated, all fog machines may set off smoke detectors.
- In certain environments, fog fluid-based machines may leave a slippery residue on floors and surfaces.
- Do not use for space heating purposes.
- Use only CHAUVET® DJ water-based fog fluid.
- Drain the tank before transporting the product.
- Always make sure that the voltage of the outlet to which you are connecting the product is within the range stated in the decal or rear panel of the product.
- This product is for indoor use only! To prevent risk of fire or shock, do not expose this product to rain or moisture.
- Always install this product in a location with adequate ventilation, at least 20 in (50 cm) from adjacent surfaces.
- Be sure that no ventilation slots on the unit's housing are blocked.
- Never connect this product to a dimmer or rheostat.
- Make sure to replace the fuse with another of the same type and rating.
- Never carry the product from the power cord or any moving part. Always use the handle.
- The maximum ambient temperature (Ta) is 104 °F (40 °C). Do not operate this product at higher temperatures.
- In the event of a serious operating problem, stop using the product immediately.
- Never try to repair this product. Repairs carried out by unskilled people can lead to damage or malfunction. Please contact the nearest authorized technical assistance center.
- To eliminate unnecessary wear and improve its lifespan, during periods of non-use completely disconnect the product from power via breaker or by unplugging it.



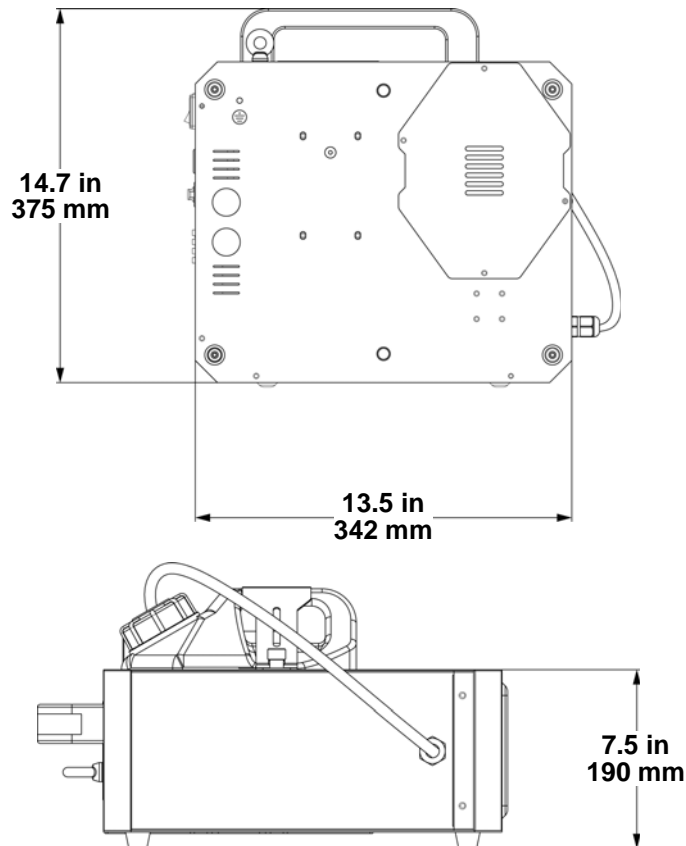
Keep this User Manual for future use. If you sell the product to someone else, be sure that they also receive this document.

2. Introduction

Product Overview



Product Dimensions




3. Setup

AC Power

The Geyser P5 has a fixed voltage power supply and it can work with an input voltage of either 120 VAC, 60 Hz or 230 VAC, 50 Hz, depending on the specific model.

To determine the product's power requirements (circuit breaker, power outlet, and wiring), use the current value listed on the label affixed to the product's back panel, or refer to the product's specifications chart.

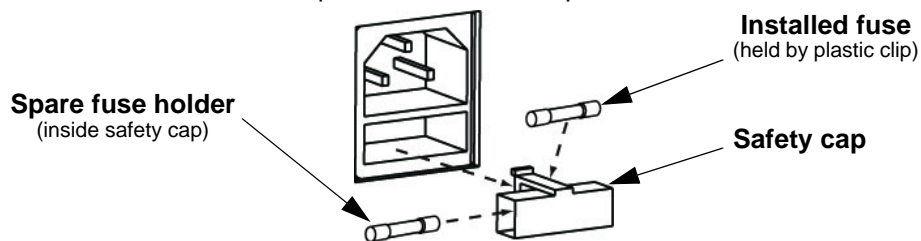
The listed current rating indicates the product's average current draw under normal conditions.

- 
 - **Always connect the product to a protected circuit (a circuit breaker or fuse). Make sure the product has an appropriate electrical ground to avoid the risk of electrocution or fire.**
 - **To eliminate unnecessary wear and improve its lifespan, during periods of non-use completely disconnect the product from power via breaker or by unplugging it.**


- 
 - **Never connect the product to a rheostat (variable resistor) or dimmer circuit, even if the rheostat or dimmer channel serves only as a 0 to 100% switch.**

Fuse Replacement

1. Wedge the tip of a flat-head screwdriver into the slot of the fuse holder.
2. Pry the fuse holder out of the housing.
3. Remove the blown fuse from the holder and replace with a fuse of the exact same type and rating.
4. Insert the fuse holder back in place and reconnect power.



- 
 - **Disconnect the product from the power outlet before replacing the fuse.**

- 
 - **While operating the Geyser P5, make sure there is adequate fog fluid in the machine to prevent pump and heater damage. When the fog fluid level becomes low, simply add more fog fluid to continue using the Geyser P5.**

- 
 - **This product may NOT be tilted. This product should be level when on a surface.**

4. Operation

Control Panel Operation

To access the control panel functions, use the four buttons located underneath the display, and the two manual control knobs located to the right of the display. Please refer to the [Product Overview](#) to see the button locations on the control panel.

Button	Function
<MENU>	Press to find an operation mode or to back out of the current menu option
<UP>	Press to scroll up the list of options or to find a higher value
<DOWN>	Press to scroll down the list of options or to find a lower value
<ENTER>	Press to activate a menu option or a selected value
<MANUAL>	Triggers fog output

Menu Map

Main Level	Programming Levels	Description
Addr	1-512	Sets the DMX starting address
	oFF	No color output
CH 1-4	Co 1	Red
	Co 2	Green
	Co 3	Blue
	Co 4	Amber
	Co 5	Ultraviolet
	Co 6	Hot pink
	Co 7	Pink
	Co 8	Yellow
	Co 9	Magenta
	Co10	Cyan
	Co11	White
	rand	Random color output

Configuration (DMX)

The Geyser P5 works with a DMX controller. Information about DMX is in the CHAUVET DMX Primer, which is available from the Chauvet website http://www.chauvetlighting.com/downloads/DMX_Primer_rev05_WO.pdf.

Starting Address

When selecting a starting DMX address, always consider the number of DMX channels the selected DMX mode uses. If you choose a starting address that is too high, you could restrict the access to some of the product's channels.

The Geyser P5 uses 10 DMX channels, which defines the highest configurable address to **503**.

If you are not familiar with the DMX protocol, download the DMX Primer from www.chauvetdj.com.

To select the starting address, do the following:

1. Press **<MENU>** repeatedly until **Addr** shows on the display.
2. Use **<UP>** or **<DOWN>** to select the starting address.
3. Press **<ENTER>**.

DMX Channel Assignments and Values

Channel	Function	Value	Percent/Setting
1	Fog	000 ⇔ 009	No function
		010 ⇔ 255	Output fog
2	Red	000 ⇔ 014	No function
		015 ⇔ 255	0–100%
3	Green	000 ⇔ 014	No function
		015 ⇔ 255	0–100%
4	Blue	000 ⇔ 014	No function
		015 ⇔ 255	0–100%
5	Amber	000 ⇔ 014	No function
		015 ⇔ 255	0–100%
6	Ultraviolet	000 ⇔ 014	No function
		015 ⇔ 255	0–100%
7	Color Macro	015 ⇔ 009	No function
		010 ⇔ 009	Color macros
8	Color Macro Speed	000 ⇔ 009	No function
		010 ⇔ 255	Color macro speed, slow to fast
9	Strobe	000 ⇔ 009	No function
		010 ⇔ 255	Strobe, slow to fast
10	Dimmer	000 ⇔ 014	No function
		015 ⇔ 255	0–100%

Configuration (Geyser Wireless Remote)



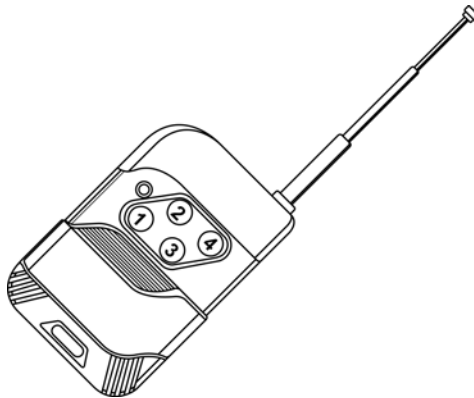
After connecting power, allow 5 to 6 minutes for the Geyser P5 to heat up before triggering fog output.

The included Geyser wireless remote control and receiver allows up to 4 preset colors or programs to be triggered from up to 100 ft (30 m) away.

To configure which color or program gets triggered by which button on the Geyser wireless remote control (<1>–<4>), follow the instructions below.

1. Press <MENU> repeatedly to select the button to configure, from **CH 1** (<1> and <MANUAL>), **CH 2** (<2>), **CH 3** (<3>), or **CH 4** (<4>).
2. Press <ENTER>.
3. Use <UP> or <DOWN> to select the output when the selected button is pressed, from **oFF** (no color output), **Co 1** (red), **Co 2** (green), **Co 3** (blue), **Co 4** (amber), **Co 5** (ultraviolet), **Co 6** (hot pink), **Co 7** (pink), **Co 8** (yellow), **Co 9** (magenta), **Co10** (cyan), **Co11** (white), or **rand** (random color output).
4. Press <ENTER>.

Geyser Wireless Remote Control Overview



Ensure the Geyser remote has an unobstructed view of the product for maximum performance.

Configuration (Manual)



After connecting power, allow 5 to 6 minutes for the Geyser P5 to heat up before triggering fog output.

To set the color output when <MANUAL> is pressed, do the following:

1. Press <MENU> repeatedly until **CH 1** shows on the display.
2. Press <ENTER>.
3. Use <UP> or <DOWN> to select the color output when <MANUAL> is pressed, from **oFF** (no color output), **Co 1** (red), **Co 2** (green), **Co 3** (blue), **Co 4** (amber), **Co 5** (ultraviolet), **Co 6** (hot pink), **Co 7** (pink), **Co 8** (yellow), **Co 9** (magenta), **Co10** (cyan), **Co11** (white), or **rand** (random color output).
4. Press <ENTER>.

5. Maintenance and Storage

Fog Machine Maintenance

Do not allow the fog machine to become clogged. After every 40 hours of continuous operation, use CHAUVET Fog Cleaner Quart (FCQ) through the system to prevent the accumulation of particulate matter in the heating element.

The recommended cleaning procedure is as follows.

1. Unplug the product from power.
2. Empty all fog fluid from the machine.
3. Add cleaning solution to the tank.
4. Connect the product to power and allow it to warm up.
5. Run the unit in a well-ventilated area until the tank is almost empty. Do not allow the pump to run dry.
6. Refill with fog fluid to continue using the fog machine. Run the machine briefly to clear any remaining cleaning solution from the pump and heater.



Do Not operate the machine without fluid at any time.



Fog Cleaner Quart (FCQ) was specifically developed by Chauvet to clean your Geyser P5. Make sure you use FCQ regularly, no longer than 90 days between cleanings, to increase the life of your product.

Storage

Before storing the fog machine, run FCQ through the system as described in the cleaning procedure above; however, only follow steps 1 through 5. **Do not refill the tank with fog fluid if storing the Geyser P5.** Cleaning the system prior to storage will help prevent any particles from condensing inside the pump or heater while not in use.



Test-run your Geyser P5 on a monthly basis to achieve the best performance.

6. Technical Specifications

Dimensions and Weight

Length	Width	Height	Weight
14.7 in (375 mm)	13.5 in (342 mm)	7.5 in (190 mm)	13.4 lb (6.1 kg)

Note: Dimensions in inches rounded to the nearest decimal digit.

Power

Power Supply Type	Range	Voltage Selection
Model-specific	120 VAC, 60 Hz, or 230 VAC, 50 Hz	Fixed
Parameter	120 V, 60 Hz	230 V, 50 Hz
Consumption	670 W	670 W
Operating Current	5.6 A	2.8 A
Fuse	F 7 A, 250 V	F 7 A, 250 V
Power I/O	U.S./Worldwide	UK/Europe
Power input connector	IEC	IEC
Power Cord plug	Edison (U.S.)	Local Plug

Operation

Heat-Up Time	Tank Capacity	Fluid Consumption
5 min	0.7 gal (2.5 l)	91 ml/min

Fog Output

Output
13,500 cfm

Light Source

Type	Color	Quantity	Power	Current	Lifespan
LED	Penta-color RGBA+UV	5	7 W	2.6 A	50,000 hours

Photometrics

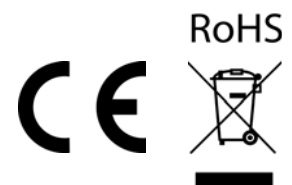
Illuminance @ 2 m
1,036 lux

Thermal

Maximum External Temperature	Cooling System
104 °F (40 °C)	Fan-assisted convection

Ordering

Product Name	Item Code	UPC Number
Geyser P5 (120 V)	05071324	781462216726
Geyser P5 (230 V)	05071325	781462216733



Returns

In case you need to get support or return a product:

- If you are located in the U.S., contact Chauvet World Headquarters.
- If you are located in the UK or Ireland, contact Chauvet Europe Ltd.
- If you are located in Mexico, contact Chauvet Mexico.
- If you are located in Benelux, contact Chauvet Europe BVBA.
- If you are located in any other country, DO NOT contact Chauvet. Instead, contact your local distributor. See www.chauvetdj.com for distributors outside the U.S., UK, Ireland, Mexico, or Benelux.



If you are located outside the U.S., UK, Ireland, Mexico, or Benelux, contact your distributor of record and follow their instructions on how to return Chauvet products to them. Visit our website www.chauvetdj.com for contact details.

Call the corresponding Chauvet Technical Support office and request a Return Merchandise Authorization (RMA) number before shipping the product. Be prepared to provide the model number, serial number, and a brief description of the cause for the return.

To submit a service request online, go to www.chauvetdj.com/service-request.

Send the merchandise prepaid, in its original box, and with its original packing and accessories. Chauvet will not issue call tags.

Clearly label the package with the RMA number. Chauvet will refuse any product returned without an RMA number.



Write the RMA number on a properly affixed label. DO NOT write the RMA number directly on the box.

Before sending the product, clearly write the following information on a piece of paper and place it inside the box:

- Your name
- Your address
- Your phone number
- RMA number
- A brief description of the problem

Be sure to pack the product properly. Any shipping damage resulting from inadequate packaging will be your responsibility. FedEx packing or double-boxing are recommended.



Chauvet reserves the right to use its own discretion to repair or replace returned product(s).

Contact Us

World Headquarters	
General Information	Technical Support
Address: 5200 NW 108th Ave. Sunrise, FL 33351 Voice: (954) 577-4455 Fax: (954) 929-5560 Toll Free: (800) 762-1084	Voice: (844) 393-7575 Fax: (954) 756-8015 Email: chauvetcs@chauvetlighting.com
	Website www.chauvetlighting.com
EUROPE	
General Information	Technical Support
Address: Stokstraat 18 9770 Kruishoutem Belgium Voice: +32 9 388 93 97	Email: eutech@chauvetlighting.eu
	Website www.chauvetlighting.eu
General Information	
General Information	Technical Support
Address: Unit 1C Brookhill Road Industrial Estate Pinxton, Nottingham, UK NG16 6NT Voice: +44 (0) 1773 511115 Fax: +44 (0) 1773 511110	Email: uktech@chauvetlighting.com
	Website www.chauvetlighting.co.uk
MEXICO	
General Information	Technical Support
Address: Av. de las Partidas 34 - 3B (Entrance by Calle 2) Zona Industrial Lerma Lerma, Edo. de México, CP 52000 Voice: +52 (728) 690-2010	Email: servicio@chauvet.com.mx
	Website www.chauvet.com.mx

Outside the U.S., United Kingdom, Ireland, Mexico or Benelux, contact the dealer of record. Follow the instructions to request support or to return a product. Visit our website for contact details.